



Easy Conversion Chart: BE3-47 To ES-47

This simple chart is designed to help you choose the appropriate ES style configuration with the same minimum coverage as your BE3. Just match up the color-coded option boxes on the left with those on the right. Option boxes colored black require no selection. For reference, see the product specification style charts on Page 2. For assistance, contact technical support at 618-654-2341.

Enter your BE3 style configuration below to generate new ES style configuration

From **BE3 Style Configuration** To **ES Style Configuration**

BE3	Model Number	Sensing Input Type	Nominal Input Type	Frequency	External Power	Output Type
	47	3	A			
			B			
			C			
			D			
			S ¹			
				2 ²		
				3		
				4		
					N ³	
					2 ⁴	



ES	Model Number	Sensing Input Type	Nominal Input Type	Timing	Frequency	External Power	Option 1	Option 2	Option 3
	47	3	A	A					
			B						
			C						
			D						
			F						
			S ¹						
					na ²				
					1				
					1				
						N ³			
							0		
								N	
								A ⁶	
								0	

Enter your current BE3 configuration:

BE3	47	3			N	2
------------	----	---	--	--	---	---

ES	47	3	A	1	N	0	N	0
-----------	----	---	---	---	---	---	---	---

- 1 For other nominal voltages, contact Basler Electric.
- 2 ES Frequency is 50/60 Hz. 400 Hz units not available.
- 3 External Power is not required for ES. No selection necessary.
- 4 Output Type is predefined by function for ES. No selection necessary.
- 5 ES-47 wiring terminals are in identical pin-out positions as previous BE3 wiring terminals. Connection diagrams are shown on Page 3 and in Instruction Manual 9500100993.
- 6 Option 2 selection A not available.

Sample Style Configuration Conversion

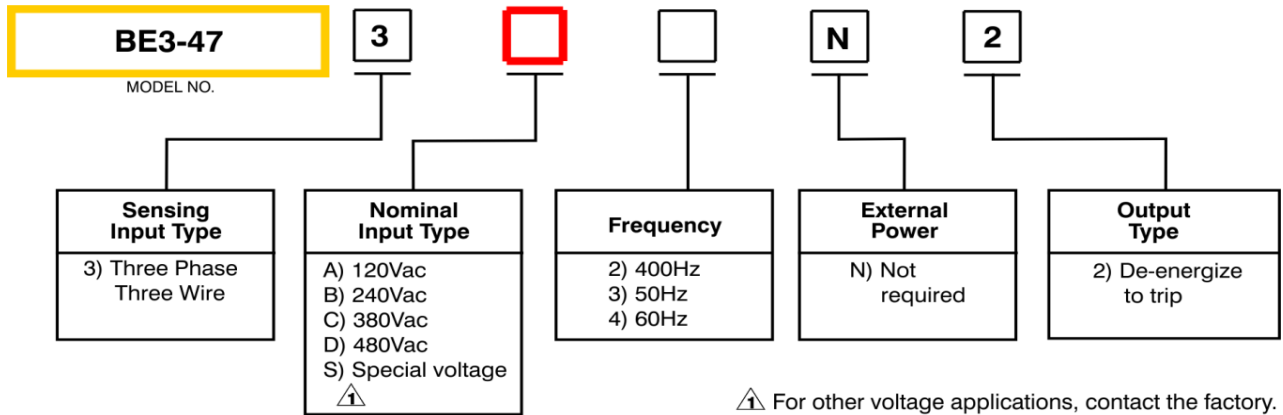
BE3-47

ES-47

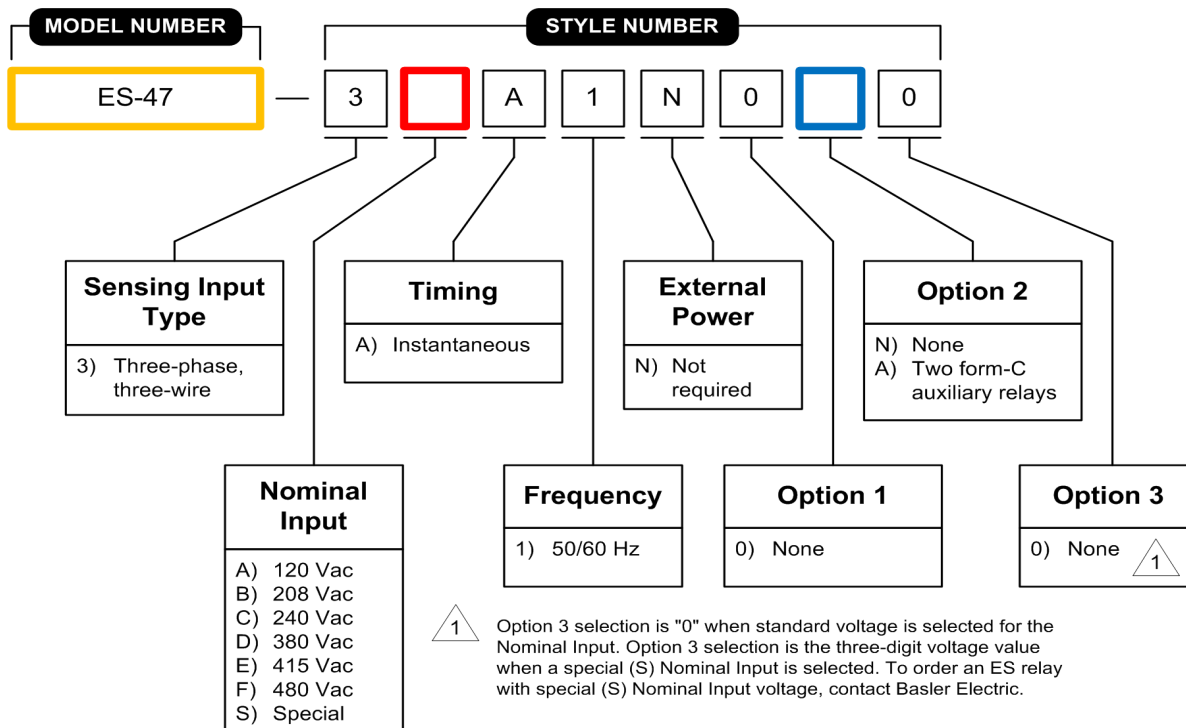
Model Number, 47	47	→	47	Model Number, 47
Sensing Input Type, 3P3W	3		3	Sensing Input Type, 3P3W
Nominal Input Type, 120 Vac	A	→	A	Nominal Input Type, 120 Vac
Frequency, 60 Hz	4		A	Timing, Instantaneous
External Power, None	N		1	Frequency, 50/60 Hz
Output Type, De-energize To Trip	2		N	External Power, Not required
			0	Option 1, None
			N	Option 2, None
			0	Option 3, None

Some options for the ES have been preselected in the above guide. To insure accuracy, please verify your style configuration using the ES style chart on page 2, referencing Instruction Manual 9500100993 or contacting Technical Support.

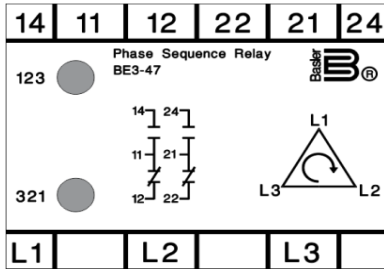
BE3-47 Style Number Identification Chart



ES-47 Style Number Identification Chart



BE3-47 Connection Diagram



ES-47 Connection Diagram

