



# Easy Conversion Chart: BE3-27, 59, 27/59, 27T, 59T, 27T/59T To ES-27, 59, 27/59

This simple chart is designed to help you choose the appropriate ES style configuration with the same minimum coverage as your BE3. Just match up the color-coded option boxes on the left with those on the right. Option boxes colored black require no selection. For reference, see the product specification style charts on Page 2. For assistance, contact technical support at 618-654-2341.

Enter your BE3 style configuration below to generate new ES style configuration

From **BE3 Style Configuration**

To **ES Style Configuration**

BE3	Model Number	Sensing Input Type	Nominal Input Type	Frequency	External Power	Output Type
	27					
	27T					
	59					
	59T					
	27/59					
	27T/59T					
		1 <sup>1</sup>				
		3 <sup>1</sup>				
		4 <sup>1</sup>				
		A				
		B				
		C				
		D				
		S <sup>2</sup>				
			1			
			2 <sup>3</sup>			
				N <sup>4</sup>		
					1	
					2	
					3	



ES	Model Number	Sensing Input Type	Nominal Input Type	Timing	Frequency	External Power	Option 1	Option 2	Option 3
	27			A					
	27			B					
	59			A					
	59			B					
	27/59			A					
	27/59			B					
		1 <sup>1</sup>							
		3 <sup>1</sup>							
		4 <sup>1</sup>							
		A							
		C							
		D							
		F							
		S <sup>2</sup>							
				1					
				na <sup>3</sup>					
					N <sup>4</sup>				
							0		
							2		
								N	
								A <sup>6</sup>	
								0	

Enter your current BE3 configuration:

BE3				1	N
-----	--	--	--	---	---

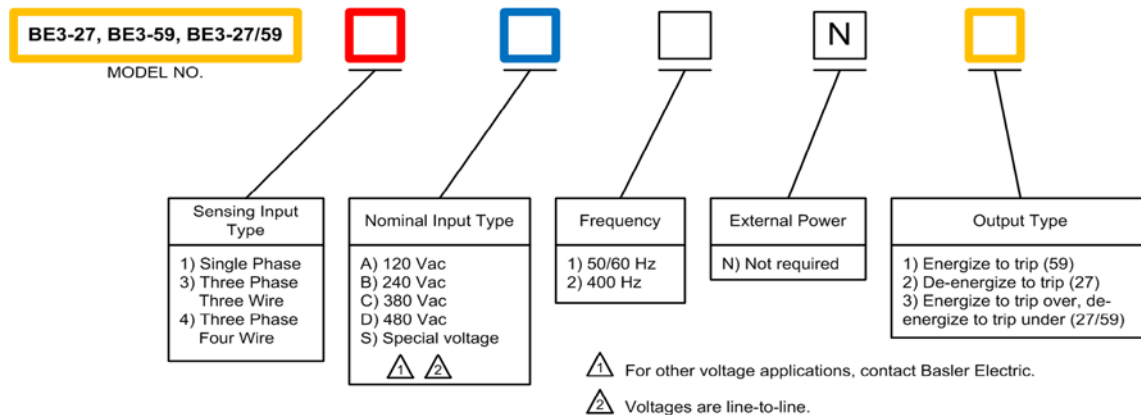
ES				1	N		N	0
----	--	--	--	---	---	--	---	---

- 1 For Sensing Input Type 1, Nominal Input is the voltage applied across terminals "L1" and "N". For Sensing Input Types 3 and 4, Nominal Input is the voltage applied line-to-line.
- 2 For other nominal voltages, contact Basler Electric.
- 3 Frequency must be 50/60 Hz for ES. 400 Hz units not available.
- 4 External Power is not required for ES. No selection necessary.
- 5 If Timing selection is A, then Option 1 selection must be 2. If Timing selection B, then Option 1 selection must be 0.
- 6 Option 2 selection A not available.
- 7 ES-27, 59, 27/59 wiring terminals are in identical pin-out positions as previous BE3 wiring terminals. Connection diagrams are shown on Page 3 and in Instruction Manual 9500100990.

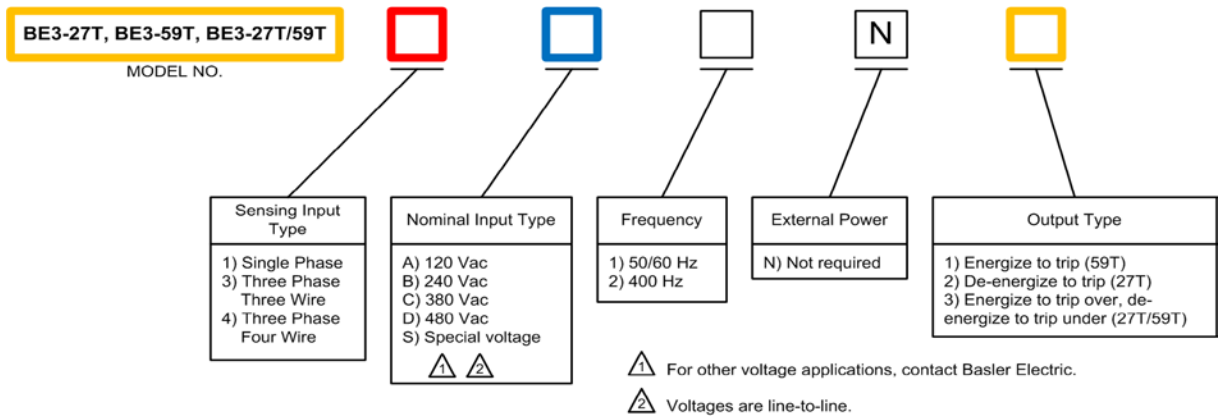
<b>Sample Style Configuration Conversion</b>			
<b>BE3-27, 59, 27/59, 27T, 59T, 27T/59T</b>		<b>ES-27, 59, or 27/59</b>	
Model Number, 59T	59T	→ 59	Model Number, 59
Sensing Input Type, Single Phase	1	→ 1	Sensing Input Type, Single Phase
Nominal Input Type, 120 Vac	A	→ A	Nominal Input Type, 120 Vac
Frequency, 50/60 Hz	1	→ B	Timing, Adjustable, 0 to 20 seconds
External Power, None	N	→ 1	Frequency, 50/60 Hz
Output Type, Energize To Trip (59T)	1	→ N	External Power, Not required
		→ 0	Option 1, None
		→ N	Option 2, None
		→ 0	Option 3, None

Some options for the ES have been preselected in the above guide. To insure accuracy, please verify your style configuration using the ES style chart on page 2, referencing Instruction Manual 9500100990 or contacting Technical Support.

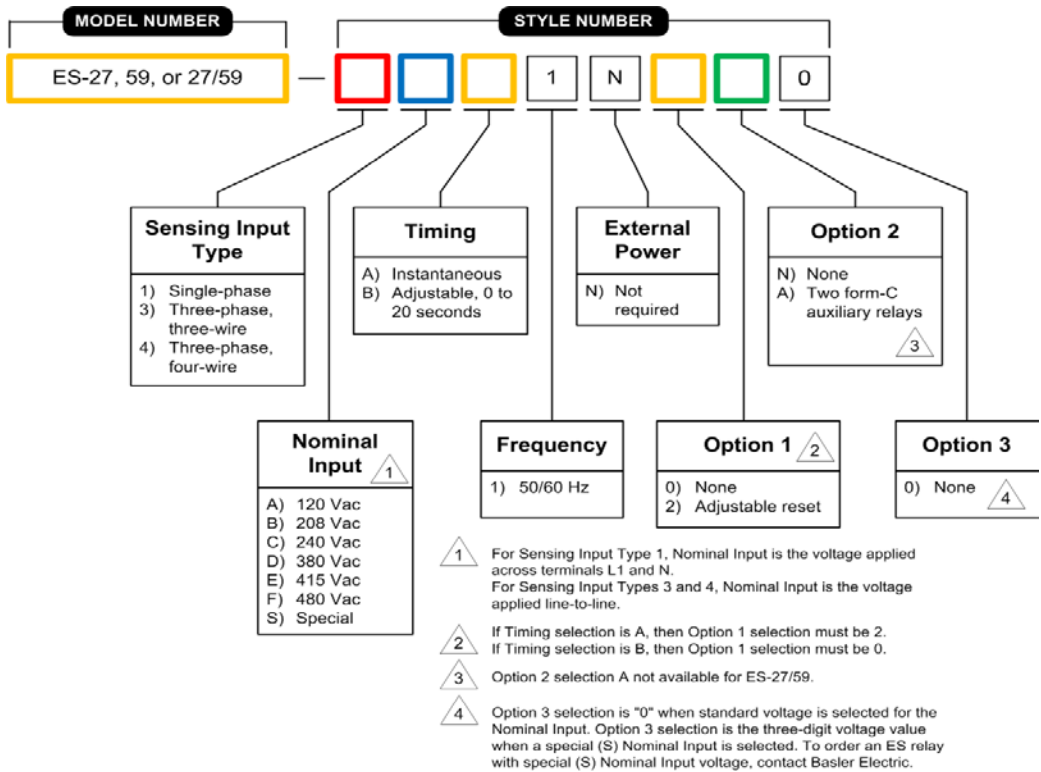
#### BE3-27, BE3-59, BE3-27/59 Style Number Identification Chart



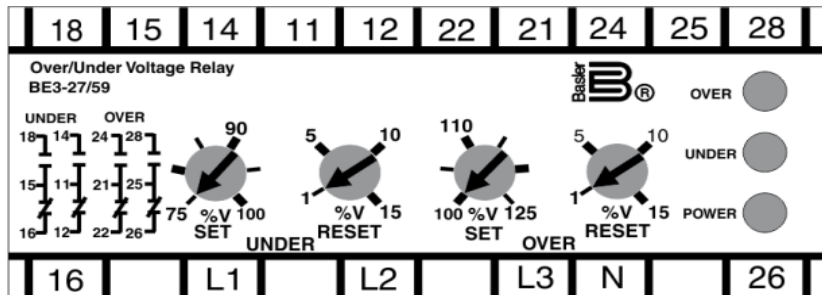
## BE3-27T, BE3-59T, BE3-27T/59T Style Number Identification Chart



## ES-27, ES-59, ES-27/59 Style Number Identification Chart



## BE3-27/59 Connection Diagram



# ES-27/59 Connection Diagram

