



# Easy Conversion Chart: BE3-74VH, 74VL, 74VD To ES-74V

This simple chart is designed to help you choose the appropriate ES style configuration with the same minimum coverage as your BE3. Just match up the color-coded option boxes on the left with those on the right. Option boxes colored black require no selection. For reference, see the product specification style charts on Page 2. For assistance, contact technical support at 618-654-2341.

**Enter your BE3 style configuration below to generate new ES style configuration**

	From	BE3 Style Configuration						To	ES Style Configuration					
BE3	Model Number	74VH 74VL 74VD	Sensing Input Type	8	Nominal Input Type	S <sup>1</sup> C T Q	Frequency	5	External Power	Output Type	1 2 3			
	Model Number	74V 74V 74V	Sensing Input Type	9	Nominal Input Type	Q R T S <sup>1</sup>	Timing	B B B	Frequency	0	External Power	Option 1	Option 2	Option 3
	A								A					
	B								C					
	C								D					
	D								F					
	E								G					
	N										4			
	A <sup>2</sup>										3			
	0										5	N		
											0			

Enter your current BE3 configuration:

<b>BE3</b>		<b>8</b>		<b>5</b>	
------------	--	----------	--	----------	--

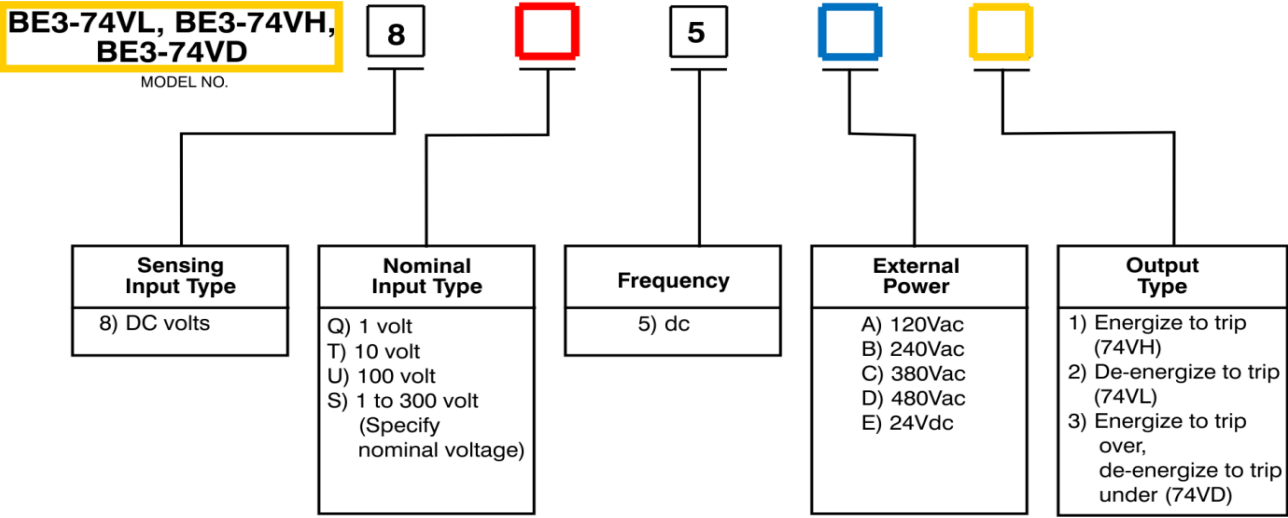
<b>ES</b>		<b>9</b>		<b>B</b>	<b>0</b>		<b>N</b>	<b>0</b>
-----------	--	----------	--	----------	----------	--	----------	----------

- 1 For other nominal DC Voltage, contact Basler Electric.
- 2 Option 2 selection A not available.
- 3 ES-74V Narrow Case Terminals: Input +, Input - and A1 are shifted left 1 position from BE3-74VL and BE3-74VH locations. See Instruction Manual 9500100995 for connection diagrams.
- 4 ES-74V Wide Case Terminal: A1 is shifted left 1 position from BE3-74VD location. Connection diagrams are shown on Page 3 and in Instruction Manual 9500100995.

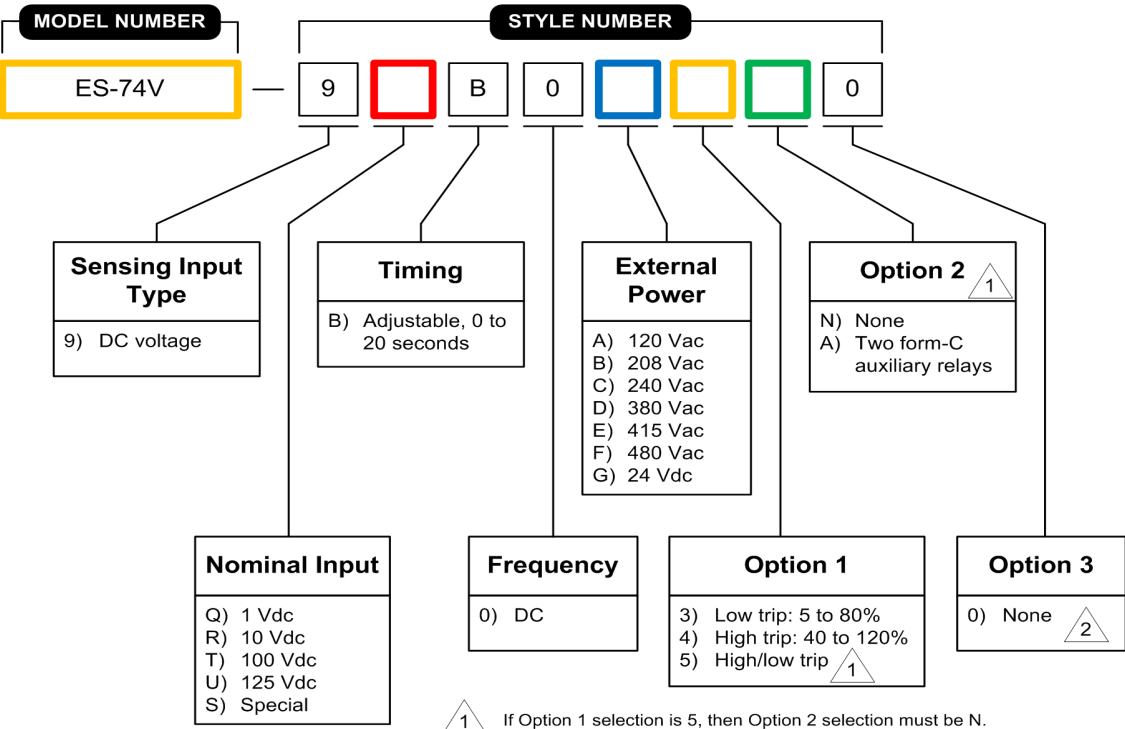
Sample Style Configuration Conversion		
BE3-74VH, 74VL, 74VD		ES-74V
Model Number, 74VH	74VH	74V
Sensing Input, DC Voltage	8	9
Nominal Input Type, 1 Vdc	Q	Q
Frequency, DC	5	B
External Power, 120 Vac	A	0
Output Type, Energize To Trip (74VH)	1	A
		4
		N
		0
		Option 1, High Trip: 40 to 120%
		Option 2, None
		Option 3, None

Some options for the ES have been preselected in the above guide. To insure accuracy, please verify your style configuration using the ES style chart on page 2, referencing Instruction Manual 9500100995 or contacting Technical Support.

**BE3-74VL, BE3-74VH, BE3-74VD Style Number Identification Chart**



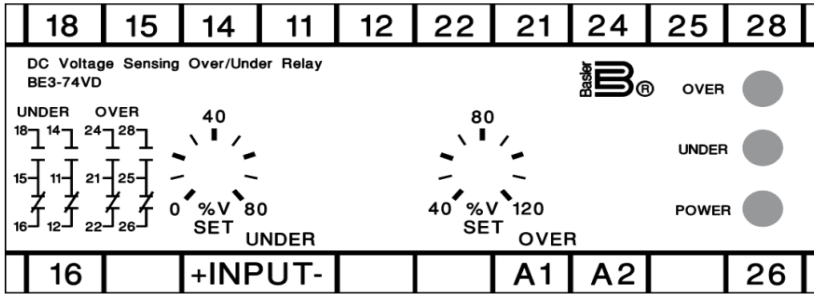
**ES-74V Style Number Identification Chart**



1) If Option 1 selection is 5, then Option 2 selection must be N.

2) Option 3 selection is "0" when standard voltage is selected for the Nominal Input. Option 3 selection is the three-digit voltage value when a special (S) Nominal Input is selected. To order an ES relay with special (S) Nominal Input voltage, contact Basler Electric.

### BE3-74VD Connection Diagram



### ES-74V Connection Diagram

